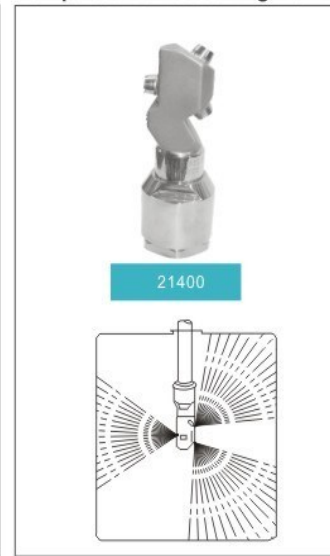


# Rotary tank washing nozzles

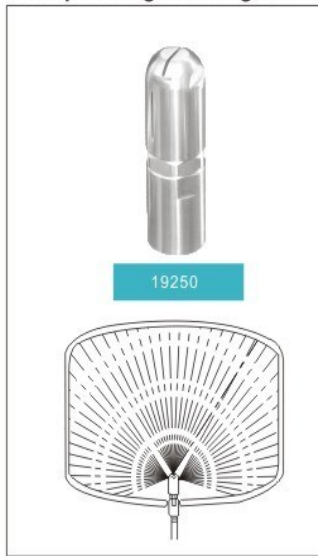
## Tank & Drum cleaning nozzle



## Compact drum cleaning nozzle



## Compact keg washing nozzle



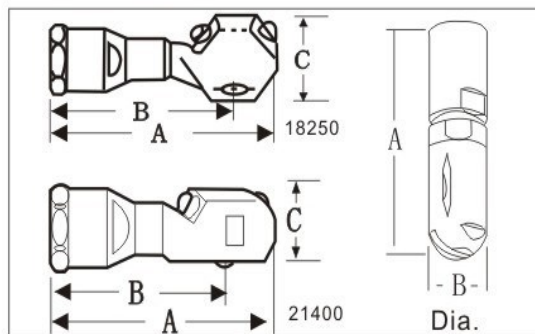
### DESIGN FEATURES

The 21400 and 18250 rotating type nozzles provide effective internal scrubbing of small tanks and drums. Both the 21400 and the 18250 feature three high impact flat sprays mounted in a rotating spray head which is driven by the flow of the cleaning liquid. These orifices precisely positioned to provide complete orbital coverage of all interior surfaces. 21400 rotary spray tip can select with SS316 and tiorrosive plastic. Anticorrosive plastic type maximum pressure is 5bar. Type 316SS with bearings and races of hardened stainless steel for maximum war life, or 316SS for maximum corrosion resistance. High impact scouring is achived with spray pressures up to 7bar. The compact 19250 nozzle will fit through a 26mm diameter hole. Two flat spray orifices are positioned to produce the self-rotating force and provide side sprays. Nozzle material is 316SS, bearings and races made of hardened stainless steel for maximum war life... or type 316 series stainless steel for maximum corrosion resistance.

### PERFORMANCE DATA

Nozzle Order No.	Capacity (liters per minute)					
	1bar	1.5bar	2bar	2.5bar	3bar	4bar
18250-STCN16-PP	49	59	68	76	84	94
18250-STCN18-PP	101	121	140	159	179	201
18250-STCN21-SS316	48	59	68	76	83	96
18250-STCN45-SS316	103	126	145	162	178	205
21400-STCN27-316SS	22	27	32	38	43	49
21400-STCN29-316SS	40	48	55	62	70	79

### DIMENSIONS & WEIGHTS



Nozzle Order No.	Capacity (liters per minute)							
	1.5bar	3bar	4bar	5bar	6bar	8bar	10bar	12bar
19250-STCN5-316SS	14	19.7	23	25	28	32	36	39
19250-STCN6-36SS	15.9	22	26	29	32	37	41	45
19250-STCN7-36SS	19.5	28	32	36	39	45	50	55
19250-STCN8-36SS	22	32	36	41	45	52	58	63
19250-STCN9-36SS	28	39	46	51	56	64	72	79

Nozzle No.	Pipe conn. NPT or BSPT(F)	A (mm)	B (mm)	C (mm)	Hex. (mm)	Net weight Kg
18250-PP	3/4"	145	115	85	75	0.55
18250-SS	3/4"	133	110	56Diam.	44.5	0.68
21400	3/4"	122	100	56	44.5	0.68
19250		89	25.4			0.23

### ORDERING INFORMATION

