

SLDF-series 2-way(NC) underwater solenoid valve 1/2" ~2" DN15~200mm

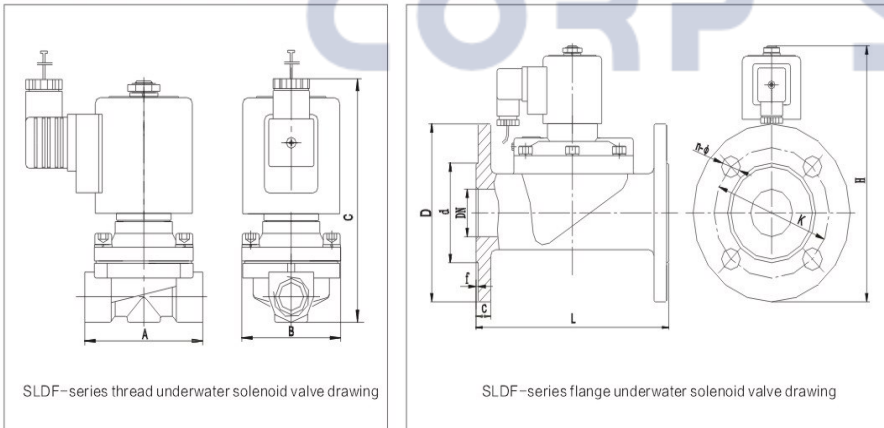


Working medium: water
 Medium temperature: -5 ~ 60 °C
 Working pressure: 0 ~ 8bar (details see specification table)
 Working type: semi direct acting pilot operated (NC)
 Valvebody material: brass SS304
 Sealing material: NBR
 Interface: G thread NPT thread flange
 Working voltage: AC220~240V AC110V 50/60Hz DC24/12V AC 32VA DC 36W IP68 H degree

Order code

SLDF	Orifice code	J	F	Working voltage
Model	20:20mm 25:25mm 32:32mm 40:40mm	Blank; brass J; SS304 C; cast iron SL; PA66	Blank; G thread T; NPT thread F; flange	AC220V AC110V DC24V

SLDF-series underwater solenoid valve drawing



SLDF-series 2-way(NC) underwater solenoid valve

SLDF-series solenoid valve specification table

Model	Orifice size (mm)	Interface size	Cv	Working pressure (bar)	A × B × C (mm)	Normal order code		Valvebody material
						AC220V G thread Material: brass		
SLDF-15	15	1/2"	3.8	0~6	68×56×117	SLDF-15-AC220V		Brass SS304
SLDF-20	20	3/4"	7.6	0~6	73×56×123	SLDF-20-AC220V		
SLDF-25	25	1"	12	0~6	100×74×135	SLDF-25-AC220V		
SLDF-32	32	1 1/4"	24	0~6	110×85×154	SLDF-32-AC220V		
SLDF-40	40	1 1/2"	30	0~6	120×90×162	SLDF-40-AC220V		
SLDF-50	50	2"	48	0~6	185×112×185	SLDF-50-AC220V		Pa66
SLDF-15SL	15	1/2"	3.8	0~6	76×68×107	SLDF-15SL-AC220V		
SLDF-20SL	20	3/4"	7.6	0~6	80×68×111	SLDF-20SL-AC220V		
SLDF-25SL	25	1"	12	0~6	107×82×117	SLDF-25SL-AC220V		
SLDF-65JF	65	Flange	53	0.3~8	256×185×318	SLDF-65JF-AC220V		
SLDF-80JF	80		82	0.3~8	277×200×327	SLDF-80JF-AC220V		
SLDF-100JF	100		129	0.3~8	350×220×345	SLDF-100JF-AC220V		
SLDF-150JF	150		292	0.3~8	450×285×400	SLDF-150JF-AC220V		
SLDF-65CF	65		53	0.3~8	258×185×330	SLDF-65CF-AC220V		
SLDF-80CF	80	Flange	82	0.3~8	280×200×330	SLDF-80CF-AC220V		
SLDF-100CF	100		128	0.3~8	354×220×390	SLDF-100CF-AC220V		
SLDF-125CF	125		222	0.3~8	430×250×470	SLDF-125CF-AC220V		
SLDF-150CF	150		292	0.3~8	454×285×480	SLDF-150CF-AC220V		
SLDF-200CF	200		513	0.3~8	573×340×590	SLDF-200CF-AC220V		

SLDF-series flange solenoid valve dimension table

Model	PN=1.6MPa GB/T9113.1-2000 flange connection dimension (mm)								
	DN	L	D	H	K	d	C	f	n-φ
SLDF-65JF	65	256	185	318	145	118	20	3	4-φ18
SLDF-80JF	80	277	200	327	160	132	20	3	8-φ18
SLDF-100JF	100	350	220	345	180	156	22	3	8-φ18
SLDF-150JF	150	450	285	400	240	211	24	3	8-φ22
SLDF-65CF	65	258	185	330	145	118	20	3	4-φ18
SLDF-80CF	80	280	200	330	160	132	20	3	8-φ18
SLDF-100CF	100	354	220	390	180	156	22	3	8-φ18
SLDF-125CF	125	430	250	470	210	186	22	3	8-φ18
SLDF-150CF	150	454	285	480	240	211	24	3	8-φ22
SLDF-200CF	200	573	340	590	295	266	24	3	12-φ22