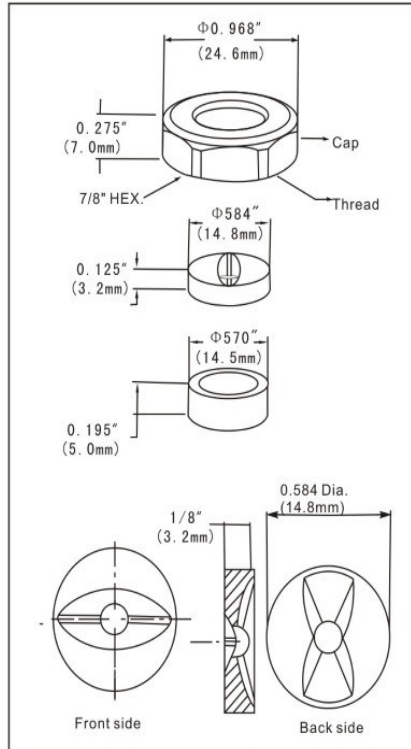
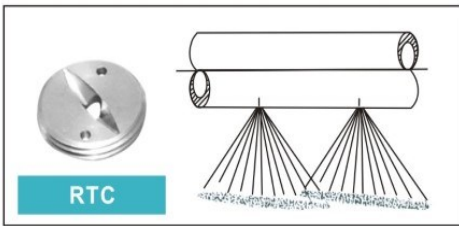


RTC high pressure slice needle nozzles



DESIGN FEATURES

It is adapt when the spray poles and the nets (blanket) distance short.

Material :SS303 or SS316
(Material durable and corrosion)

COMMON APPLICATIONS

- Low pressure washing
- Knife sopping and lubricating

PERFORMANCE DATA

RTC

Capacity size	Equivalent aperture (mm)	Material		Capacity (liters per minute)								Spray angle at 3 bar
		SS	316SS	1Bar	2Bar	3Bar	4Bar	5Bar	6Bar	7Bar	10Bar	
RTC-2510		●		2.3	3.2	3.9	4.6	5.1	5.6	6.0	7.2	25°
RTC-3580	6.4	●		18.2	26	32	36	41	45	48	58	35°
RTC-4040		●		9.1	12.9	15.8	18.2	20	22	24	29	40°
RTC-4047	4.7	●		10.7	15.1	18.6	21	24	26	28	34	
RTC-4067		●		15.3	22	26	31	32	37	40	48	
RTC-4070	5.5	●		16.0	23	28	32	36	39	42	50	43°
RTC-4085	6.4		●	19.4	27	34	39	43	47	51	61	
RTC-4308	1.9	●		1.8	2.6	3.2	3.6	4.1	4.5	4.8	5.8	
RTC-4313	2.4	●	●	3.0	4.2	5.1	5.9	6.6	7.3	7.8	9.4	50°
RTC-50033	1.2	●		0.75	1.1	1.3	1.5	1.7	1.8	2.0	2.4	
RTC-5024	3.2	●		5.5	7.7	9.5	10.9	12.2	13.4	14.5	17.3	
RTC-5033	4.0			7.5	10.6	13.0	15.0	16.8	18.4	19.9	24	55°
RTC-5037		●		8.4	11.9	14.6	16.9	18.9	21	22	27	
RTC-55054	1.6	●		1.2	1.7	2.1	2.5	2.8	3.0	3.3	3.9	
RTC-5508	1.9	●		1.8	2.6	3.2	3.6	4.1	4.5	4.8	5.8	58°
RTC-5824	3.2	●	●	5.5	7.7	9.5	10.9	12.2	13.4	14.5	17.3	
RTC-5833	4.0		●	7.5	10.6	13.0	15.0	16.8	18.4	19.9	24	
RTC-60054	1.6		●	1.2	1.7	2.1	2.5	2.8	3.0	3.3	3.9	65°
RTC-60054	1.6	●		1.2	1.7	2.1	2.5	2.8	3.0	3.3	3.9	
RTC-6513	2.4	●	●	3.0	4.2	5.1	5.9	6.6	7.3	7.8	9.4	
RTC-6519	2.8	●	●	4.3	6.1	7.5	8.7	9.7	10.6	11.5	13.7	68°
RTC-6533	4.0	●		7.5	10.6	13.0	15.0	16.8	18.4	19.9	24	
RTC-6550	4.7	●		11.4	16.1	19.7	23	25	28	30	36	
RTC-6570	5.5	●		16	23	28	32	36	39	42	50	70°
RTC-6824	3.2	●		5.5	7.7	9.5	10.9	12.2	13.4	14.5	17.3	
RTC-6840			●	9.1	12.9	15.8	18.2	20	22	24	29	
RTC-6864			●	14.6	21	25	29	33	36	39	46	80°
RTC-6870	5.5		●	16.0	23	28	32	36	39	42	50	
RTC-70023	1.0	●		0.52	0.74	0.91	1.0	1.2	1.3	1.4	1.7	
RTC-80032	1.2	●		0.73	1.0	1.3	1.5	1.6	1.8	1.9	2.3	90°
RTC-80054	1.6	●		1.2	1.7	2.1	2.5	2.8	3.0	3.3	3.9	
RTC-8008	1.9	●		1.8	2.6	3.2	3.6	4.1	4.5	4.8	5.8	
RTC-80084	1.9	●		1.9	2.7	3.3	3.8	4.3	4.7	5.1	6.1	80°
RTC-8013	2.4		●	3.0	4.2	5.1	5.9	6.6	7.3	7.8	9.4	
RTC-8024	3.2	●		5.5	7.7	9.5	10.9	10.9	12.2	14.5	17.3	
RTC-8033	4.0	●		7.5	10.6	13.0	15.0	15.0	16.8	19.9	24.0	90°
RTC-8040				9.1	12.9	15.8	18.2	18.2	20	24	29	
RTC-90016	0.79	●		0.36	0.52	0.63	0.73	0.73	0.82	0.96	1.2	
RTC-90054	1.6	●		1.2	1.7	2.1	2.5	2.5	2.8	3.3	3.9	90°
RTC-9013	2.4	●		3.0	4.2	5.1	5.9	5.9	6.6	7.8	9.4	