

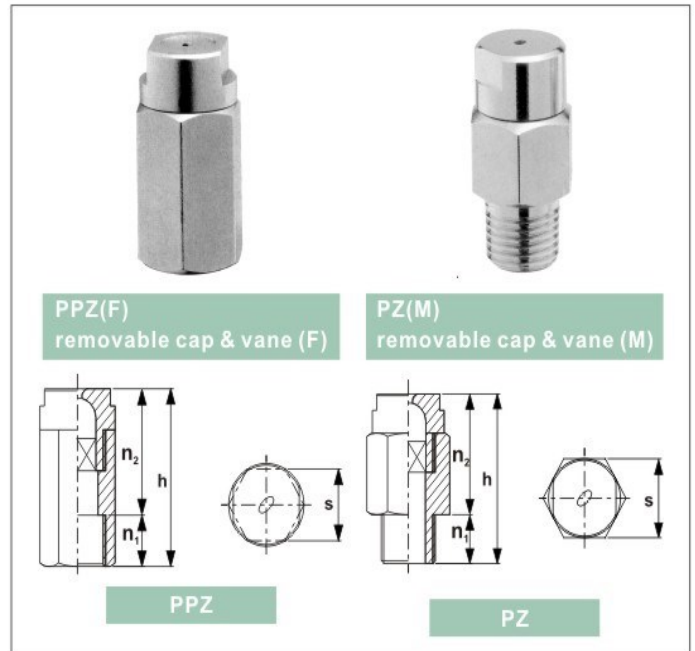
PZ series oval full cone nozzles

DESIGN FEATURES

The nozzle with new structure. There is movable spinning core in the body .
 Oval spray full cone nozzles feature a solid cone-shaped spray pattern .It's ratio of major axis and minor axis is 1:7:1,with even atomization and reliable performance.
 It is mainly used for the secondary cooling of continuous casting machine for large slab, i.e at bottom foot roller of mold and wide face of mold of supporting guide section. It can be also used for cleaning and cooling of equipment.

SIZE AND DIMENSIONSS

Series	Inlet conn. NPT or BSPT				Dimensions(mm)				Weight(g)	
	1/4	3/8	1/2	3/4	n1	n2	h	s	SS	Brass
PPZ-SS	●				10	28	38	19	20	22
		●			11	34	45	22	22	44
			●		13	47	60	28	63	67
				●	15	53	68	32	116	121
PZ-SS	●				10	28	38	19	20	22
		●			11	34	45	22	22	44
			●		13	47	60	28	63	63
				●	15	53	68	32	116	116



PERFORMANCE DATA

(PPZ)

Inlet conn. NPT or BSPT			Capacity size	Capacity(liters per minute)							Spray angle at 3bar (Major axis)
1/4	3/8	1/2		1bar	2bar	3bar	4bar	5bar	7bar	10bar	
●			65P1	1.73	2.4	3.0	3.4	3.9	4.6	5.5	65°
●			75P1	1.15	1.63	2.0	2.3	2.6	3.1	3.7	75°
●			75P2	1.73	2.4	3.0	3.4	3.9	4.6	5.5	75°
●			75P3	2.50	3.5	4.3	5.0	5.6	6.6	7.9	75°
●			75P4	2.0	2.9	3.5	4.0	4.5	5.3	6.4	75°
	●		75P5	2.2	3.1	3.8	4.4	4.9	5.8	6.9	75°
	●		75P6	2.3	3.2	4.0	4.6	5.2	6.1	7.3	75°
	●		75P7	2.5	3.5	4.3	5.0	5.6	6.6	7.9	75°
	●		75P8	2.9	4.1	5.0	5.8	6.5	7.6	9.1	75°
	●		75P9	3.5	4.9	6.0	6.9	7.7	9.2	11.0	75°
	●		75P10	4.0	5.7	7.0	8.1	9.0	10.7	12.8	75°
	●		75P11	4.5	6.4	7.9	9.1	10.2	12.1	14.4	75°
	●		75P12	4.6	6.5	8.0	9.2	10.3	12.2	14.6	75°
	●		75P13	5.2	7.3	9.0	10.4	11.6	13.7	16.4	75°
	●		75P14	5.5	7.8	9.5	11.0	12.3	14.5	17.3	75°
	●		75P15	5.8	8.2	10	11.5	12.9	15.3	18.3	75°
	●		75P16	6.4	9.0	11	12.7	14.2	16.8	20.0	75°
	●		75P17	6.9	9.8	12	13.9	15.5	18.3	21.9	75°
	●		75P18	8.7	12.2	15	17.3	19.4	22.9	27.4	75°
	●		90P1	1.73	2.4	3.0	3.4	3.9	4.6	5.5	90°
	●		90P2	2.3	3.2	4.0	4.6	5.2	6.1	7.3	90°
	●		90P3	2.9	4.1	5.0	5.8	6.5	7.6	9.1	90°
	●		90P4	3.5	4.9	6.0	6.9	7.7	9.2	11.0	90°
	●		90P5	4.0	5.7	7.0	8.1	9.0	10.7	12.8	90°
	●		90P6	4.6	6.5	8.0	9.2	10.3	12.2	14.6	90°
	●		90P7	6.4	9.0	11.0	12.7	14.2	16.8	20.0	90°
		●	90P8	10.4	14.7	18	20.8	23.2	27.5	32.9	90°
		●	90P9	11.5	16.3	20	23.1	25.8	30.6	36.5	90°
		●	90P10	12.7	17.9	22	25.4	28.4	33.6	40.2	90°
		●	90P11	15.0	21.2	26	30.0	33.6	39.7	47.5	90°
		●	90P12	16.2	22.9	28	32.3	36.1	42.8	51.1	90°
	●		95P1	1.9	2.7	3.3	3.8	4.3	5.0	6.0	95°
	●		95P2	2.0	2.9	3.5	4.0	4.5	5.3	6.4	95°
	●		95P3	2.3	3.2	4.0	4.6	5.2	6.1	7.3	95°
	●		95P4	2.5	3.5	4.3	5.0	5.6	6.6	7.9	95°
	●		105P1	9.2	13.1	16	18.5	20.7	24.4	29.2	105°
		●	105P2	10.4	14.7	18	20.8	23.2	27.5	32.9	105°
		●	105P3	11.5	16.3	20	23.1	25.8	30.6	36.5	105°
		●	105P4	12.7	17.9	22	25.4	28.4	33.6	40.2	105°
		●	105P5	13.8	19.6	24	27.7	31	36.7	43.8	105°

PZ

Inlet conn. NPT or BSPT				Capacity size	Capacity (liters per minute)							Spray angle at 3bar (Major axis)
1/4	3/8	1/2	3/4		1bar	2bar	3bar	4bar	5bar	7bar	10bar	
●				65PZ01	1.15	1.63	2.0	2.3	2.6	3.1	3.7	65°
●				75PZ01	1.15	1.63	2.0	2.3	2.6	3.1	3.7	75°
●				90PZ01	1.15	1.63	2.0	2.3	2.6	3.1	3.7	90°
●				65PZ02	1.44	2.0	2.5	2.9	3.2	3.8	4.6	65°
●				75PZ02	1.44	2.0	2.5	2.9	3.2	3.8	4.6	75°
●				90PZ02	1.44	2.0	2.5	2.9	3.2	3.8	4.6	90°
●				65PZ03	1.73	2.4	3.0	3.4	3.9	4.6	5.5	65°
●				75PZ03	1.73	2.4	3.0	3.4	3.9	4.6	5.5	75°
●				90PZ03	1.73	2.4	3.0	3.4	3.9	4.6	5.5	90°
●				65PZ04	2.0	2.9	3.5	4	4.5	5.3	6.4	65°
●				75PZ04	2.0	2.9	3.5	4	4.5	5.3	6.4	75°
●				90PZ04	2.0	2.9	3.5	4	4.5	5.3	6.4	90°
●				65PZ05	2.3	3.2	4.0	4.6	5.2	6.1	7.3	65°
●				75PZ05	2.3	3.2	4.0	4.6	5.2	6.1	7.3	75°
●				90PZ05	2.3	3.2	4.0	4.6	5.2	6.1	7.3	90°
●				65PZ06	2.9	4.1	5.0	5.8	6.5	7.6	9.1	65°
●				75PZ06	2.9	4.1	5.0	5.8	6.5	7.6	9.1	75°
●				90PZ06	2.9	4.1	5.0	5.8	6.5	7.6	9.1	90°
●				65PZ06	3.5	4.9	6.0	6.9	7.7	9.2	10.9	65°
●				75PZ06	3.5	4.9	6.0	6.9	7.7	9.2	10.9	75°
●				90PZ06	3.5	4.9	6.0	6.9	7.7	9.2	10.9	90°
	●			65PZ07	4.0	5.7	7.0	8.1	9.0	10.7	12.8	65°
	●			75PZ07	4.0	5.7	7.0	8.1	9.0	10.7	12.8	75°
	●			90PZ07	4.0	5.7	7.0	8.1	9.0	10.7	12.8	90°
	●			65PZ08	4.6	6.5	8.0	9.2	10.3	12.2	14.6	65°
	●			75PZ08	4.6	6.5	8.0	9.2	10.3	12.2	14.6	75°
	●			90PZ08	4.6	6.5	8.0	9.2	10.3	12.2	14.6	90°
	●			65PZ09	5.2	7.3	9.0	10.4	11.6	13.7	16.4	65°
	●			75PZ09	5.2	7.3	9.0	10.4	11.6	13.7	16.4	75°
	●			90PZ09	5.2	7.3	9.0	10.4	11.6	13.7	16.4	90°
	●			65PZ10	5.8	8.2	10	11.5	12.9	15.3	18.3	65°
	●			75PZ10	5.8	8.2	10	11.5	12.9	15.3	18.3	75°
	●			90PZ10	5.8	8.2	10	11.5	12.9	15.3	18.3	90°
	●			65PZ11	6.4	9.0	11	12.7	14.2	16.8	20.1	65°
	●			75PZ11	6.4	9.0	11	12.7	14.2	16.8	20.1	75°
	●			90PZ11	6.4	9.0	11	12.7	14.2	16.8	20.1	90°
	●			65PZ12	6.9	9.8	12	13.9	15.5	18.3	21.9	65°
	●			75PZ12	6.9	9.8	12	13.9	15.5	18.3	21.9	75°
	●			90PZ12	6.9	9.8	12	13.9	15.5	18.3	21.9	90°
	●			65PZ13	8.7	12.2	15	17.3	19.4	22.9	27.4	65°
	●			75PZ13	8.7	12.2	15	17.3	19.4	22.9	27.4	75°
	●			90PZ13	8.7	12.2	15	17.3	19.4	22.9	27.4	90°
		●		65PZ14	11	15.5	19	21.9	24.5	22.9	34.7	65°
		●		75PZ14	11	15.5	19	21.9	24.5	22.9	34.7	75°
		●		90PZ14	11	15.5	19	21.9	24.5	22.9	34.7	90°
		●		65PZ15	13.3	18.8	23	26.6	29.7	35.1	42.0	65°
		●		75PZ15	13.3	18.8	23	26.6	29.7	35.1	42.0	75°
		●		90PZ15	13.3	18.8	23	26.6	29.7	35.1	42.0	90°
			●	70PZ16	14.4	20.4	25	28.9	32.3	38.2	45.6	70°
			●	90PZ16	14.4	20.4	25	28.9	32.3	38.2	45.6	90°
			●	70PZ17	17.3	24.5	30	34.6	38.7	45.8	54.8	70°
			●	90PZ17	17.3	24.5	30	34.6	38.7	45.8	54.8	90°
			●	70PZ18	20.2	24.7	35	40.4	45.2	53.5	63.9	70°
			●	90PZ18	20.2	24.7	35	40.4	45.2	53.5	63.9	90°
●				95PZ19	1.4	2.0	2.4	2.8	3.1	3.7	4.4	95°
●				95PZ20	1.7	2.4	3.0	3.4	3.9	4.6	5.5	95°
●				95PZ21	2.3	3.2	4.0	4.6	5.2	6.1	7.3	95°
●				95PZ22	3.1	4.4	5.4	6.2	7.0	8.2	9.9	95°
●				95PZ23	3.5	4.9	6.0	6.9	7.7	9.2	10.9	95°
●				95PZ24	4.2	6.1	7.5	8.6	9.7	11.5	13.7	95°

Remark:
Brass
SS-Stainless steel
316SS

