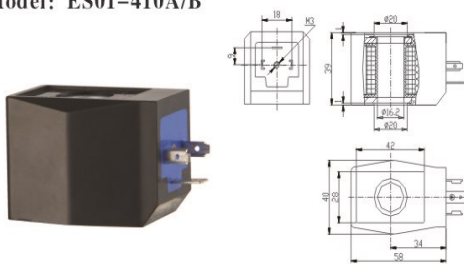


ES-series low power energy saving coil

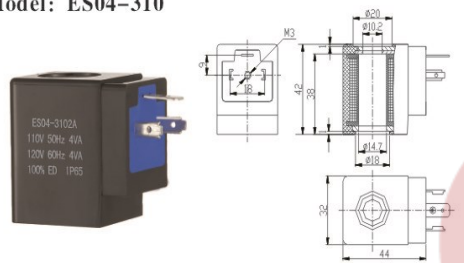
Model: ES01-410A/B



Features: low power, slowly heating-up ($\leq 40^{\circ}\text{C}$)
strong attraction force

Voltage: AC220V AC110V DC24V
Power: A type AC220V 4VA DC24V 4W
B type AC220V 5VA DC24V 6W
Insulation degree H
Medium temperature $-10 \sim 80^{\circ}\text{C}$
Coil DIN43650A

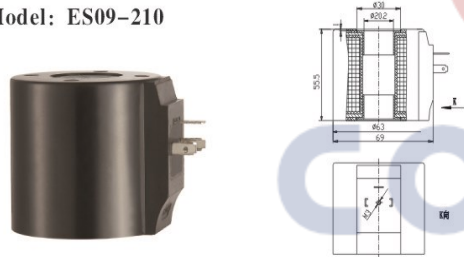
Model: ES04-310



Features: low power, slowly heating-up ($\leq 40^{\circ}\text{C}$)
strong attraction force

Voltage: AC220V AC110V DC24V
Power: A type AC220V 3VA DC24V 3W
B type AC220V 4VA DC24V 4W
Insulation degree H
Medium temperature $-10 \sim 80^{\circ}\text{C}$
Coil DIN43650A

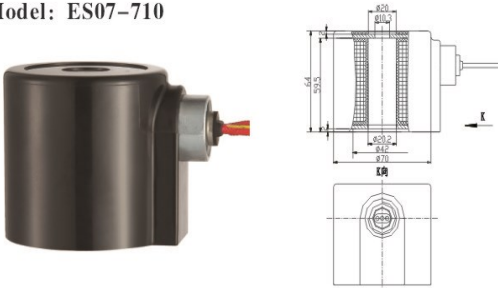
Model: ES09-210



Features: low power, slowly heating-up ($\leq 40^{\circ}\text{C}$)
strong attraction force

Voltage: AC220V AC110V DC24V
Power: AC220V 6VA DC24V 6W
Insulation degree H
Medium temperature $-10 \sim 80^{\circ}\text{C}$
Coil DIN43650A

Model: ES07-710

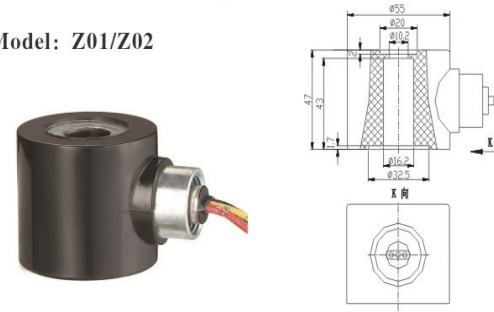


Features: low power, slowly heating-up ($\leq 40^{\circ}\text{C}$)
strong attraction force

Voltage: AC220V AC110V DC24V
Power: AC220V 8VA DC24V 7W
Insulation degree H
Medium temperature $-10 \sim 80^{\circ}\text{C}$
Coil lead wire

Normal thermoset plastic seal

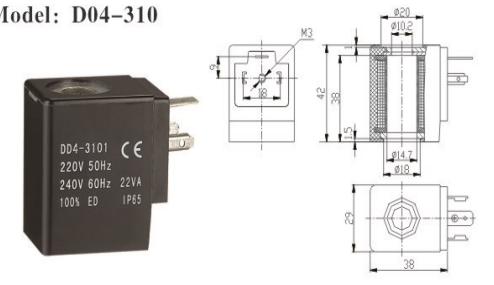
Model: Z01/Z02



Voltage: AC220V DC24V

Power: AC220 20VA / 23VA
DC24V 20W / 28W
Insulation degree H
Coil lead wire

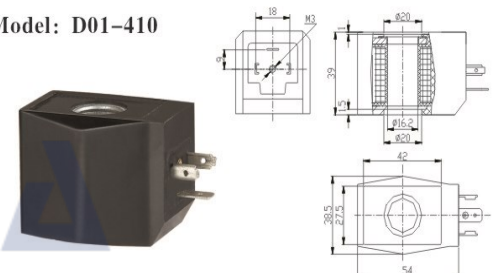
Model: D04-310



Voltage: AC220V AC110V DC24V

Power: AC220V 22VA DC24V 13W
Insulation degree H
Coil DIN43650A

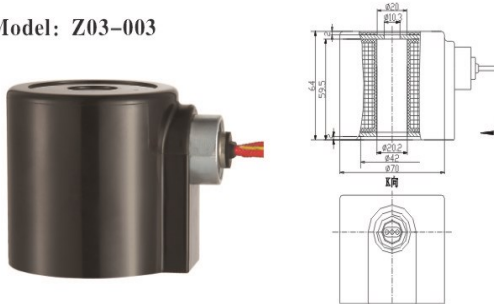
Model: D01-410



Voltage: AC220V AC110V DC24V

Power: AC220V 20VA DC24V 20W
Insulation degree H
Coil DIN43650A

Model: Z03-003



Voltage: AC220V AC110V DC24V

Power: AC220V 48VA DC24V 35W
Insulation degree H
Coil lead wire