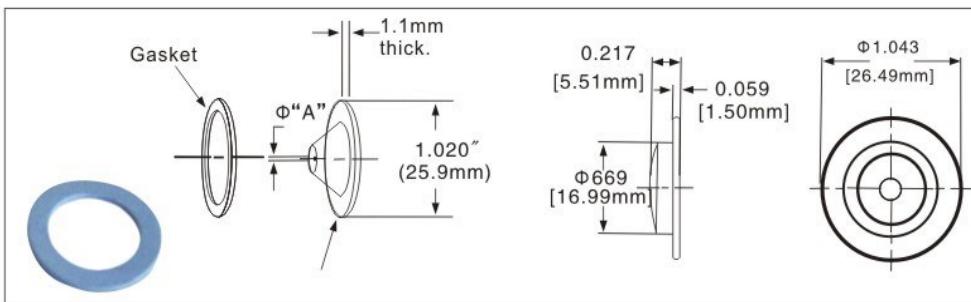
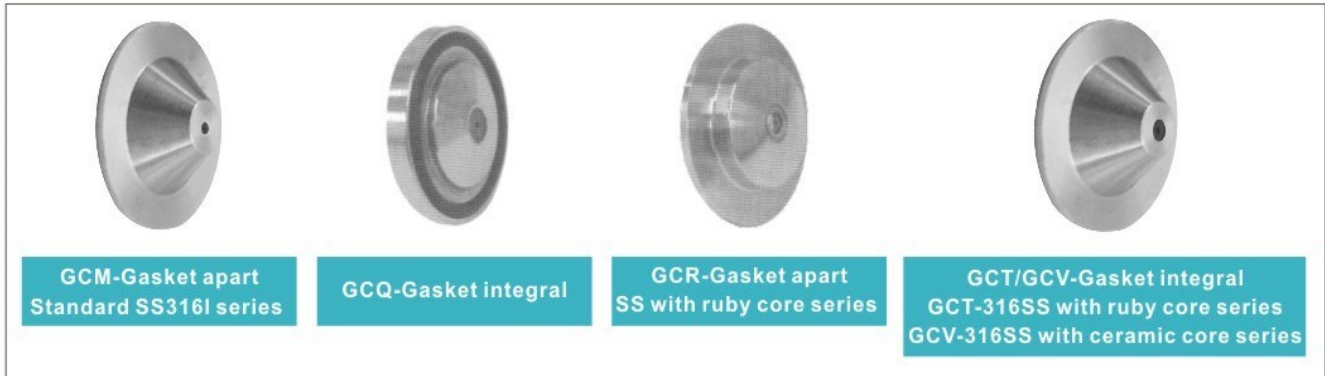


GC series high pressure slice needle nozzles



PERFORMANCE DATA

GCM

Nozzle code No.	Orifice diameter (mm)	Capacity (L/min)					Spray angle 4bar
		1.5Bar	3Bar	7Bar	20Bar	55Bar	
GCM-004	0.3	0.11	0.16	0.24	0.41	0.68	0°
GCM-007	0.4	0.20	0.28	0.42	0.71	1.2	
GCM-009	0.5	0.25	0.36	0.54	0.92	1.5	
GCM-01	0.6	0.36	0.51	0.78	1.3	2.2	
GCM-02	1.0	0.64	0.91	1.4	2.3	3.9	
GCM-03	1.2	0.92	1.3	2.0	3.4	5.6	
GCM-04	1.5	1.2	1.7	2.6	4.4	7.3	
GCM-08	1.9	2.2	3.1	4.8	8.1	13.4	
GCM-12	2.4	3.5	4.9	7.5	12.6	21	
GCM-20	3.2	5.5	7.8	11.9	20	33	

GCV

Nozzle code No.	Inch
GCT-003	0.015" [0.38mm]
GCT-005	0.020" [0.51mm]
GCT-008	0.025" [0.64mm]
GCT-020	0.030" [0.76mm]
GCT-011	0.035" [0.89mm]
GCT-015	0.040" [1.02mm]
GCT-025	0.045" [1.14mm]

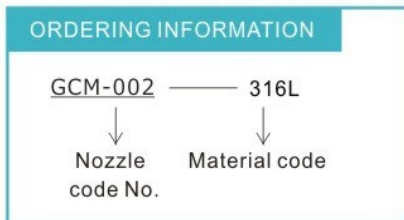
GCT

Nozzle code No.	Orifice diameter (mm)	Capacity (L/min)					Spray angle 4bar
		1.5Bar	3Bar	7Bar	20Bar	55Bar	
GCV-005	0.5	0.14	0.20	0.31	0.52	0.86	0°
GCV-008	0.64	0.22	0.31	0.45	0.81	1.34	
GCV-001	0.76	0.32	0.45	0.69	1.16	1.93	
GCV-015	0.9	0.43	0.61	0.94	1.58	2.62	
GCV-002	1.0	0.56	0.80	1.22	2.06	3.42	
GCV-025	1.1	0.72	1.01	1.54	2.61	4.33	
GCV-003	1.3	0.88	1.25	1.91	3.22	5.34	
GCV-045	1.5	1.27	1.80	2.75	4.64	7.7	

GCR

Nozzle code No.	Inch
GCR-003	0.015" [0.38mm]
GCR-005	0.020" [0.51mm]
GCR-008	0.025" [0.64mm]
GCR-011	0.030" [0.76mm]
GCR-015	0.035" [0.89mm]
GCR-020	0.040" [1.02mm]
GCR-025	0.045" [1.14mm]

Order info. For SS with ceramic core



COMMON APPLICATIONS

- Cleaning of long net part
- Cleaning of squeezing part
- Cleaning of blind hole roller
- Cleaning of groove roller