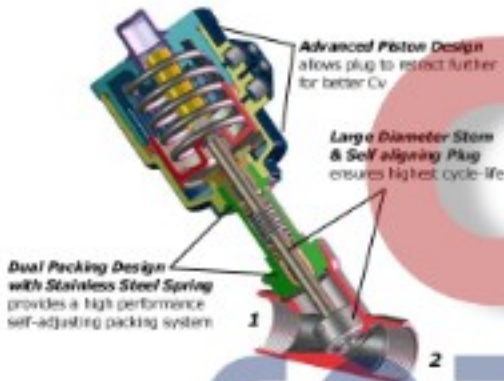


# Angle seat valve



1. Structure: Angle Seat Valve
2. Body Material: Stainless steel 304
3. Core Material: Stainless steel 304
4. Seat Material: PTFE: -30°C ~ 180°C
5. Pressure Class: 1.6Mpa / PN16
6. Connect method: Flange connect GB, ANSI, DIN, ISO
7. Actuator: Single Acting Normally Close
8. Actuator Type: Polyamide PA
9. Medium: Water, steam, Oil, air
10. Air port size: G1 Thread
11. Solenoid valve (Optional)



Size	Inch	Flange Type Pneumatic Angle Seat Valve									
		L	D	D1	D2	A	B	H	C	f	N-d
DN10	3/8"										
DN15	1/2"	120	95	65	40	180	64	137	14	2	4-14
DN20	3/4"	130	105	75	50	185	64	145	14	2	4-14
DN25	1"	140	115	85	60	210	80	173	14	2	4-14
DN32	1-1/4"	150	135	100	70	240	80	210	16	2	4-18
DN40	1-1/2"	180	145	110	80	245	80	260	16	2	4-18
DN50	2"	195	160	125	92	295	100	300	16	2	4-18
DN65	2-1/2"	230	185	145	115	320	126	315	18	2	4-18
DN80	3"	250	195	160	130	330	126	330	18	2	8-18
DN100	4"	280	215	180	150	350	156	350	18	2	8-18

