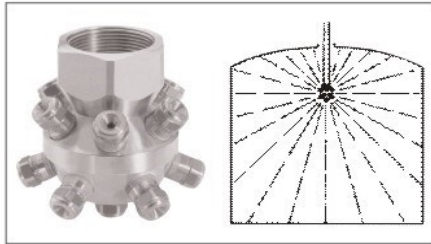


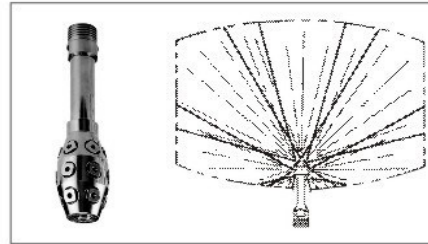
Stationary tank washing nozzles



6353



10250-1



9800

DESIGN FEATURES

Type 6353 and 10250 nozzle assemblies provide effective washing or rising of tanks of many sizes.

Both models feature 13 full cone nozzles which spray all interior tank surfaces at pressures up to 4bar .Nozzle headers are available in brass ,mild steel and stainless steel.

The type 6353 nozzles assembly features a large flow capacity for cleaning tanks up to 3.1m in diameter. Flow rates can be varied by using 1/4" or 3/8" full cone nozzles .

The 6353 fits through tank openings 130mm in diameter or more.

The type 10250-1 nozzle assembly offers an extra large flow capacity for cleaning larger tanks up to 6.7m in diameter.

The 9800 washing nozzles are specially designed for the efficient cleaning of smaller vessels.

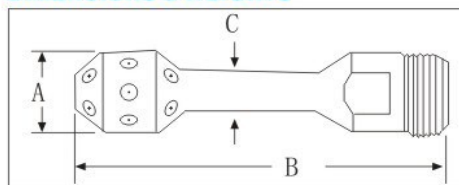
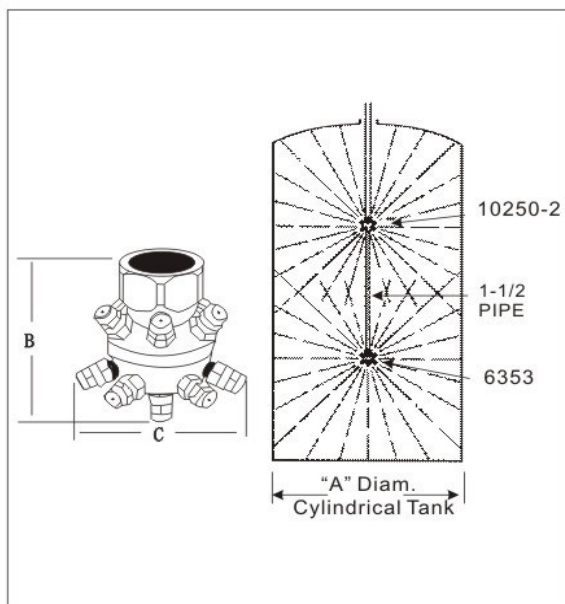
The 9800 model offer a choice of 15 or 21 full cone spray tips which spray all interior surfaces at pressure up to 10bar .

The type 9800 is designed to pass through a standard keg bung, and to fit on automatic keg washers. The maximum spray head diameter is 35mm with a 16mm neck which allows for drainage while washing. Stainless steel construction provides maximum corrosion resistance.

PERFORMANCE DATA

Pipe Size NPT or BSPT(F)	Nozzle Order No.	Total l/min and Approx. Max. Tank size at pressure (bar)								Tank Diam."A"m	DIMENSIONS	
		1.5bar		2bar		3bar		3.5bar			Ht."B"mm	Diam."C" mm
		l/min	Tank Diam."A" m	l/min	Tank Diam."A" m	l/min	Tank Diam."A" m	l/min	Tank Diam."A" m			
3"	10250--1-1/2	280	3.0	320	3.5	390	3.5	415	4.0	166	191	
	10250--1-3/4	580	3.5	660	4.0	800	4.5	860	5.0	174	210	
	10250--1-1	1000	4.0	1000	5.0	1370	6.0	1470	6.5	183	229	
1-1/2"	6353--1/4GG5	35		35		48		52		1.2	114	
	6353--1/4GG10	70		70		97		104		2.1	114	
	6353--3/8GG22	155		155		215		230		3.0	121	

DIMENSIONS & WEIGHTS



Nozzle No.	Pipe Conn. NPT or BSPT (M)	A Diam.mm	B mm	C Diam.mm	Net weight Kg
9800	1"	35	156	16	0.51

PERFORMANCE DATA

Nozzle Order No.	Capacity (liters per minute)							
	1bar	2bar	3bar	4bar	5bar	6bar	7bar	10bar
9800-15-SS	—	—	—	20	23	25	26	31
9800-21-SS	—	—	—	28	31	34	36	43

ORDERING INFORMATION

